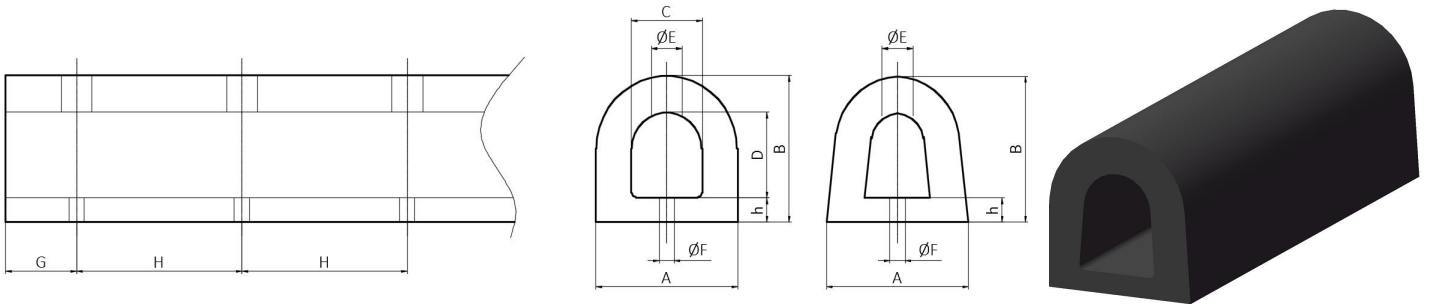


D Rubber Fender

■ Features

1. Easy for installation and maintenance.
2. Reasonable reaction force with high energy absorption.



■ Specification

| Type | Dimensions | | | | | | | |
|------------|------------|-----|-----|-----|----|----|---------|---------|
| | A | B | C | D | E | F | G | H |
| GD 200x200 | 200 | 200 | 100 | 100 | 62 | 30 | 100~150 | 325~460 |
| GD 300x300 | 300 | 300 | 150 | 150 | 65 | 32 | 100~150 | 325~600 |
| GD 400x400 | 400 | 400 | 200 | 200 | 87 | 39 | 150 | 425~460 |
| GD 500x500 | 500 | 500 | 250 | 200 | 97 | 45 | 150 | 325~600 |

Note: Other specification out of the series can be produced upon request.

■ Performance

| Type | 50% Rated Deflection | |
|------------|----------------------|-------------------|
| | Reaction Force | Energy Absorption |
| GD 200x200 | 207 | 8 |
| GD 300x300 | 294 | 12 |
| GD 400x400 | 383 | 20 |
| GD 500x500 | 451 | 31 |

Note: Performance tolerance is $\pm 10\%$.