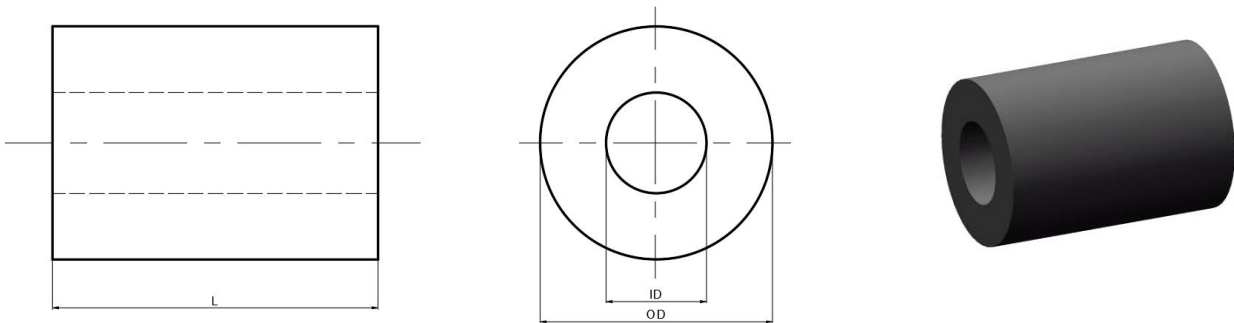


Cylindrical Rubber Fender

■ Features

1. Low reaction force and hull pressure, reasonable energy absorption
2. Applicable for rolling and pitching of berthing vessels
3. Applicable for ships with different sizes
4. Easy to install and maintain



■ Specification

Type	GCY 150	GCY 200	GCY 250	GCY 300	GCY 350	GCY 400	GCY 500	GCY 600	GCY 700	GCY 800	GCY 900	GCY 1000	GCY 1100	GCY 1200	GCY 1300	GCY 1400	GCY 1500	GCY 1600	GCY 1700	GCY 1800	GCY 1900	GCY 2000
OD (mm)	150	200	250	300	350	400	500	600	700	800	900	1000	1100	1200	1300	1400	1500	1600	1700	1800	1900	2000
ID (mm)	75	100	125	150	175	200	250	300	350	400	450	500	550	600	650	700	750	800	850	900	950	1000
WT (kg/m)	17	41	48	70	95	124	193	278	379	495	626	773	935	1102	1306	1514	1739	1978	2233	2503	2790	3091

Note: Other specification out of the series can be produced upon request.

■ Performance

Performance Specification	50% Rated Deflection			
	Reaction Force(KN)		Energy Absorption(KN-M)	
	RO Standard Type	RH High Reaction Force Type	RO Standard Type	RH High Reaction Force Type
GCY 150	45	75	1.5	2
GCY 200	61	97	2.7	4
GCY 250	77	122	4.1	6.6
GCY 300	91	146	6.1	9
GCY 350	106	170	8.2	13
GCY 400	121	195	10.2	17
GCY 500	151	244	16.3	26.5



GCY 600	183	292	24.5	27.5
Performance Specification	50% Rated Deflection			
	Reaction Force(KN)		Energy Absorption	
	RO Standard Type	RH High Reaction Force Type	RO Standard Type	RH High Reaction Force Type
GCY 600	179	286	24	37
GCY 700	212	341	31.6	51
GCY 800	242	391	41.8	67.3
GCY 900	273	439	53	85.7
GCY 1000	303	489	65.3	110.5
GCY 1100	338	539	78.5	132
GCY 1200	370	585	96.9	155
GCY 1300	400	635	110	183
GCY 1400	430	683	131	212
GCY 1500	460	732	150	243
GCY 1600	491	792	180	288
GCY 1700	521	840	210	345
GCY 1800	552	889	252	414
GCY 1900	581	938	294	497
GCY 2000	666	1075	327	596

Note: Performance tolerance is $\pm 10\%$.

■ **Performance Curve**

